

Data sheet

Actuators for three point control AMV 55, AMV 56

Description



The actuators are used with valves:

- VFS 2 (DN 65-100),
- VL 2/3 (DN 100),
- VF 2/3 (DN 100-150),
- AFQM (DN 65-125).
- VL 2/3 & VF 2/3 (DN 65, 80) only in combination with AMV 56 and adapter **065Z0312**.

Features:

- Load related "switch off" function that prevents overloading
- Optional auxiliary switches, feedback potentiometer and valve stem heater are available.

Main data:

- Nominal voltage:
24 VAC 50 Hz/60 Hz,
230 VAC 50 Hz/60 Hz,
- Control input signal: 3 point
- Force:
2000 N (AMV 55),
1500 N (AMV 56)
- Stroke: 40 mm
- Speed:
8 s/mm (AMV 55),
4 s/mm (AMV 56)
- Max. medium temperature: 200 °C
- Manual operation

Ordering

Actuators

Type	Power supply	Code No.
AMV 55	24 VAC	082H3020
AMV 55	230 VAC	082H3021
AMV 56	24 VAC	082H3023
AMV 56	230 VAC	082H3024

Accessories¹⁾

Type	Code No.
Potentiometer (10 kΩ/30 mm)	082H7035
Potentiometer (10 kΩ/40 mm)	082H7036
Potentiometer (1 kΩ/30 mm)	082H7038
Potentiometer (1 kΩ/40 mm)	082H7039
Additional switches (2x)	082H7037
Stem heater (VF, VL valves DN 65 - 100)	065Z7020
Stem heater (VF valves DN 125, 150 and VFS valves DN 65-100)	065Z7022
AMV 56 adapter (VF, VL valves DN 65,80)	065Z0312

¹⁾ only one potent. or add. switches can be added)

Technical data

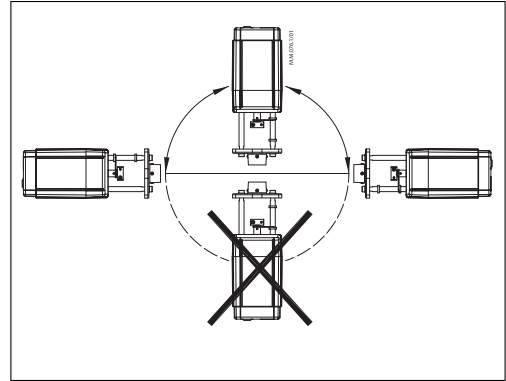
Type		AMV 55	AMV 56
Power supply	V	24, 230; ± 10 %	
Power consumption	VA	7	17,5
Frequency	Hz	50/60	
Control input		3-point	
Close of force	N	2000	1500
Max. stroke	mm	40	
Speed	s/mm	8	4
Max. medium temperature		200	
Ambient temperature	°C	0 ... 55	
Storage and transport temperature		-40 ... 70	
Protection class		II	
Grade of enclosure		IP 54	
Weight	kg	3,8	
- marking in accordance with the standards		Low Voltage Directive 73/23/EEC, EMC-Directive 2006/95/EEC: EN 60730-1, EN 60730-2-14	

Installation

Mechanical

The actuator should be mounted with the valve stem (use a 4 mm Allen key -not supplied) in either horizontal position or pointing upwards. Use a 3 mm Allen key -not supplied, to fit the actuator to the valve body. Allow for necessary clearance for maintenance purposes.

The valve has position indication rings which should be pushed together before commissioning; after stroking they indicate the ends of the stroke.



Electrical

Electrical connections can be accessed by removing the cover. Two M16 x 1,5 cable entries are provided. Both entries are provided with a rubber grommet for use with flexible cable. Note that in order to maintain the enclosure IP rating, appropriate cable glands must be used.

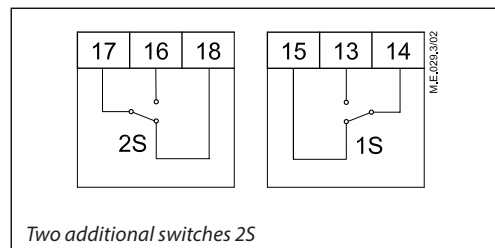
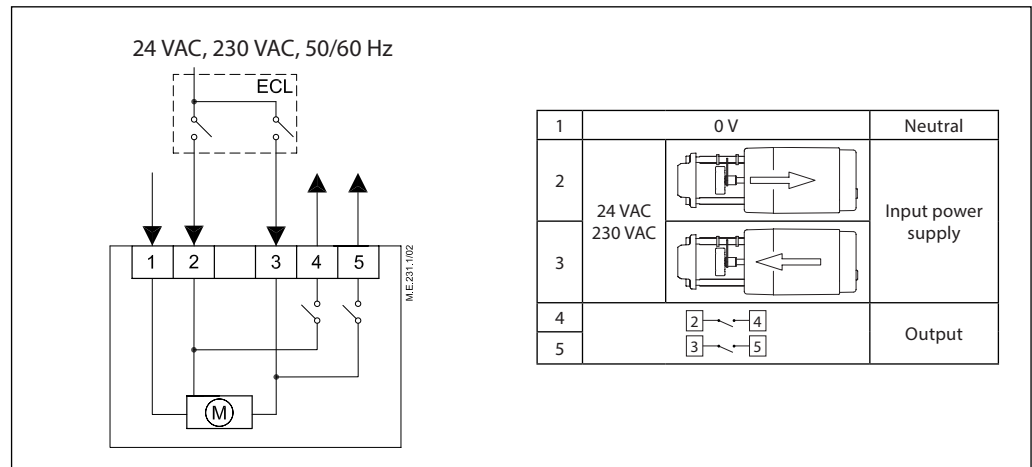
Disposal

The actuator must be dismantled and the elements sorted into various material groups before disposal.

Wiring



230 Vac version:
Do not touch anything on the PCB! Lethal voltage!



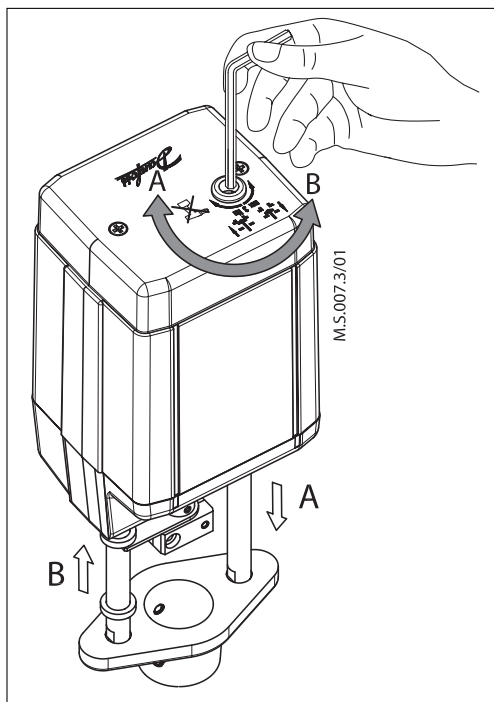
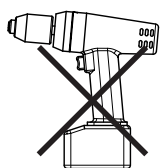
Commissioning

The following mechanical and electrical installation and the necessary checks and tests are to be completed in order to commission the unit:

- Turn on the power.
- Set the appropriate control signal and check the valve stem direction is correct for the application.

The unit is now fully commissioned.

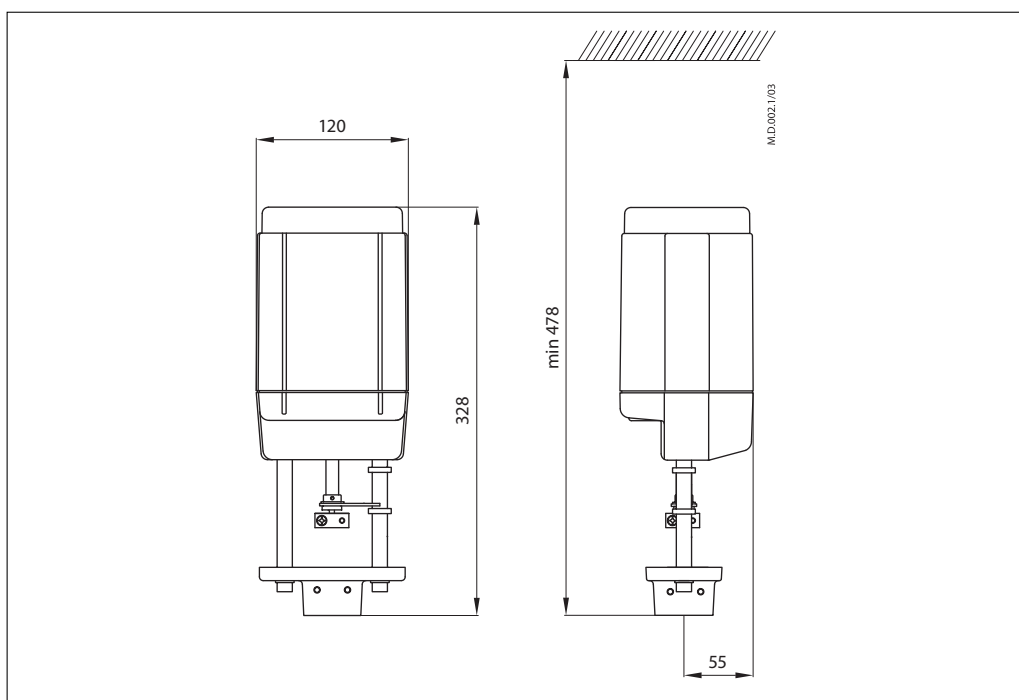
Manual override



The manual override is applied by rotating the 4 mm Allen key (not supplied) to the required position. Observe the direction of the rotation symbol.

- Disconnect control signals
- Adjust valve position using an Allen key
- Set valve to closed position
- Restore control signals

Dimensions



Actuator - valve combinations

