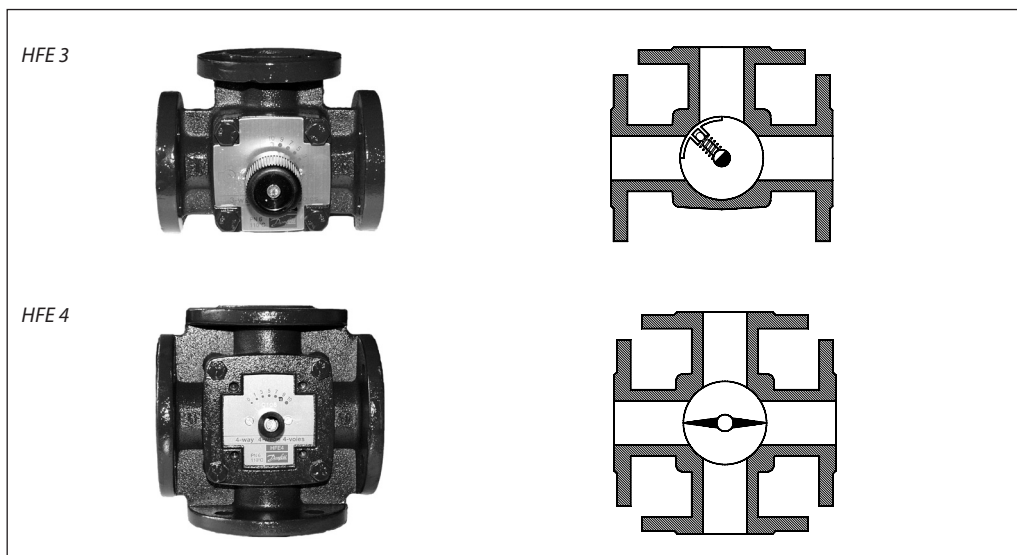


## Data sheet

# Rotary valves HFE 3, HFE 4

### Description



Rotating valves type HFE are used combined with Danfoss actuators AMB 162 and AMB 182. Rotating valves can be used in systems where there is no need for defined control characteristic, and where certain amounts of leakage from closed valves can be accepted.

#### Main data:

- DN 20-150 (HFE 3), DN 32-150 (HFE 4)
- $k_{vs}$  12-400 m<sup>3</sup>/h (HFE 3),  $k_{vs}$  32-400 m<sup>3</sup>/h (HFE 4)
- PN 6
- 3-way or 4-way
- Linear characteristic
- Medium temperature 2...110 °C
- For mixing or diverting
- Flanged connections

### Ordering

#### Rotary valves HFE

Type	DN (mm)	$k_{vs}$ (m <sup>3</sup> /h)	PN	Code No.	
				HFE 3	HFE 4
HFE 3 HFE 4	20	12	6	065B5120	-
	25	18		065B5125	-
	32	28		065B5132	065B6132
	40	44		065B5140	065B6140
	50	60		065B5150	065B6150
	65	90		065B5165	065B6165
	80	150		065B5180	065B6180
	100	225		065B5200	065B6200
	125	280		065B5225	065B6225
	150	400		065B5250	065B6250

#### Spare parts

Type	for DN	Code No.
O-rings	DN 20-40 mm	065B0003
	DN 50-150 mm	065B0004
Handle knob lever	DN 20-40 mm	065B2210

#### Accessories

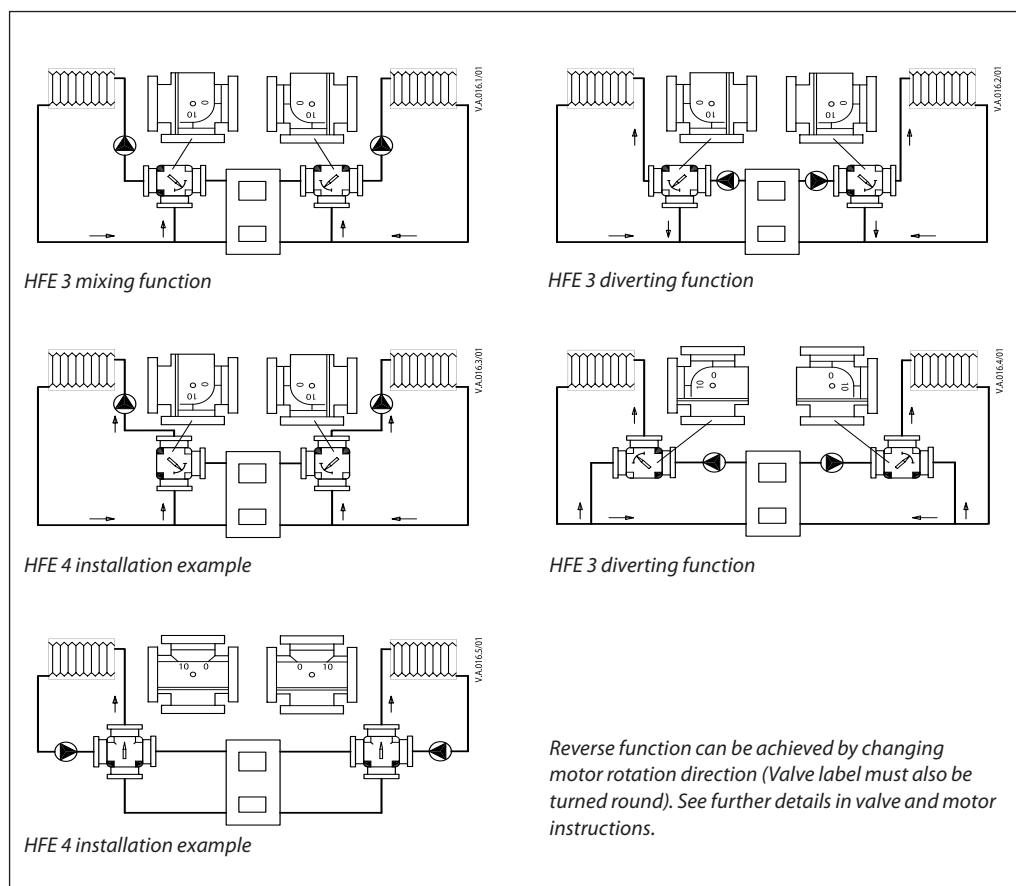
Type	for actuators	Code No.
Coupling (linkage kit)	AMB 162, AMB 182	082G4230 <sup>1)</sup>

<sup>1)</sup> Supplied with the actuator.

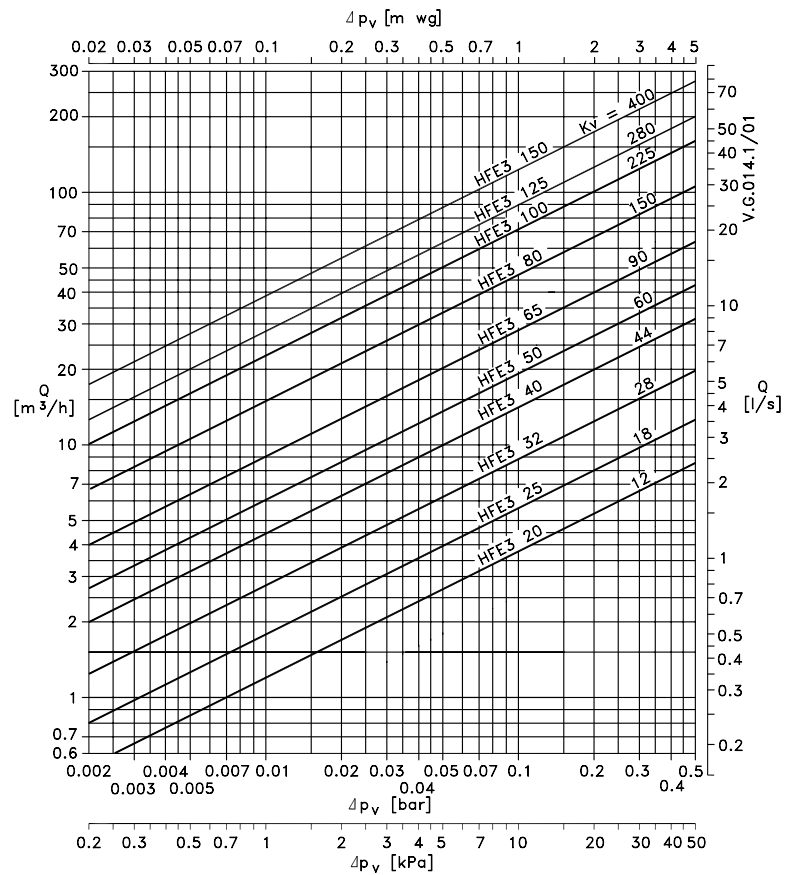
Technical data

Nominal diameter	HFE 3	DN	20	25	32	40	50	65	80	100	125	150	
	HFE 4		-	-									
$k_{VS}$ value		m <sup>3</sup> /h	12	18	28	44	60	90	150	225	280	400	
Max. differential pressure		bar	0.5					0.3					
Nominal pressure		PN	6										
Leakage with valve closed and max. diff. pressure	HFE 3	Diverting: max.0.5 % of $k_{VS}$ / mixing: max. 1.0 % of $k_{VS}$											
	HFE 4	max. 1.5 % of $k_{VS}$											
Max. torque (unloaded)		Nm	5				10			15			
Medium	Circulation water / glycolic water up to 50%												
Medium pH	Min. 7, max. 10												
Medium temperature		°C	2 (-10) ... 110										
Connections	Flanges												
<b>Materials</b>													
Body and cover	Grey cast iron EN-GJL-200 (GG 20)												
Slide shoe	Brass casting												
Spindle	Stainless steel												
Gland	Double O-ring												

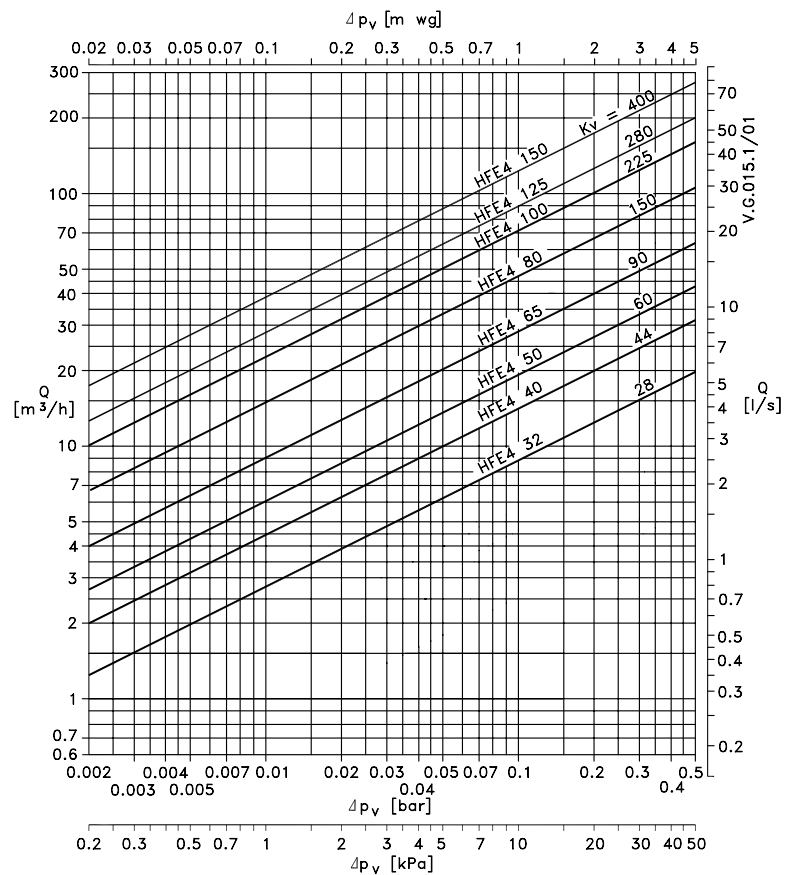
Application principles



Sizing

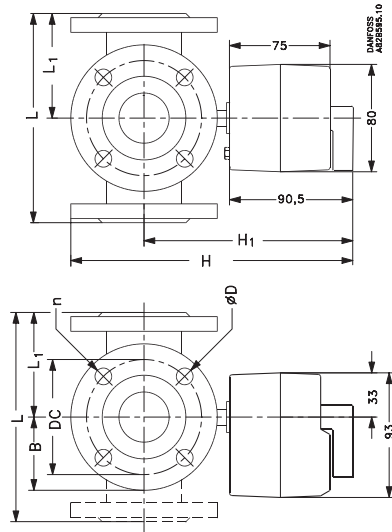


Water capacities for HFE 3



Water capacities for HFE 4

Dimensions



HFE 3

Sizes	H	H <sub>1</sub>	L	L <sub>1</sub>	B	DC	Ød	n	Weight (kg)	Actuator
	mm									
DN 20	184	139	140	70	45	65	11.5	4	3.5	AMB 162 AMB 182
DN 25	189	139	150	75	50	75	11.5	4	4.0	
DN 32	200	140	160	80	60	90	15	4	5.9	
DN 40	205	140	175	88	65	100	15	4	6.8	
DN 50	221	151	195	98	70	110	15	4	9.1	
DN 65	239	159	200	100	80	130	15	4	10.0	
DN 80	265	170	235	118	95	150	18	4	16.2	
DN 100	285	180	265	133	105	170	18	4	21.0	
DN 125	309	189	300	150	120	200	18	8	27.0	
DN 150	326	194	350	175	133	225	18	8	37.0	

HFE 4

Sizes	H	H <sub>1</sub>	L	L <sub>1</sub>	B	DC	Ød	n	Weight (kg)	Actuator
	mm									
DN 32	200	140	160	80	60	90	15	4	7.0	AMB 162 AMB 182
DN 40	205	140	175	88	65	100	15	4	8.2	
DN 50	221	151	195	98	70	110	15	4	11.0	
DN 65	239	159	200	100	80	130	15	4	12.2	
DN 80	265	170	235	118	95	150	18	4	20.0	
DN 100	285	180	265	133	105	170	18	4	25.0	
DN 125	309	189	300	150	120	200	18	8	35.0	
DN 150	326	194	350	175	133	225	18	8	45.0	

Danfoss can accept no responsibility for possible errors in catalogues, brochures and other printed material. Danfoss reserves the right to alter its products without notice. This also applies to products already on order provided that such alterations can be made without consequential changes being necessary in specifications already agreed. All trademarks in this material are property of the respective companies. Danfoss and the Danfoss logotype are trademarks of Danfoss A/S. All rights reserved.